

# AMERICAN AVK DRY BARREL HYDRANT

## Tamper Resistant Weathershield Kit

### Datasheet & Installation Instructions

27/47XXX  
TAMPER

#### Use:

To resist unauthorized opening or operation of American AVK Series 27, dry barrel hydrants. The hydrant lock can be retrofitted to model year 1996 and later hydrants.

#### Standard Materials:

Lock

Brass

Bolt,Screw,Thrustnut Lock,Lock Pin

Stainless Steel

Weathershield

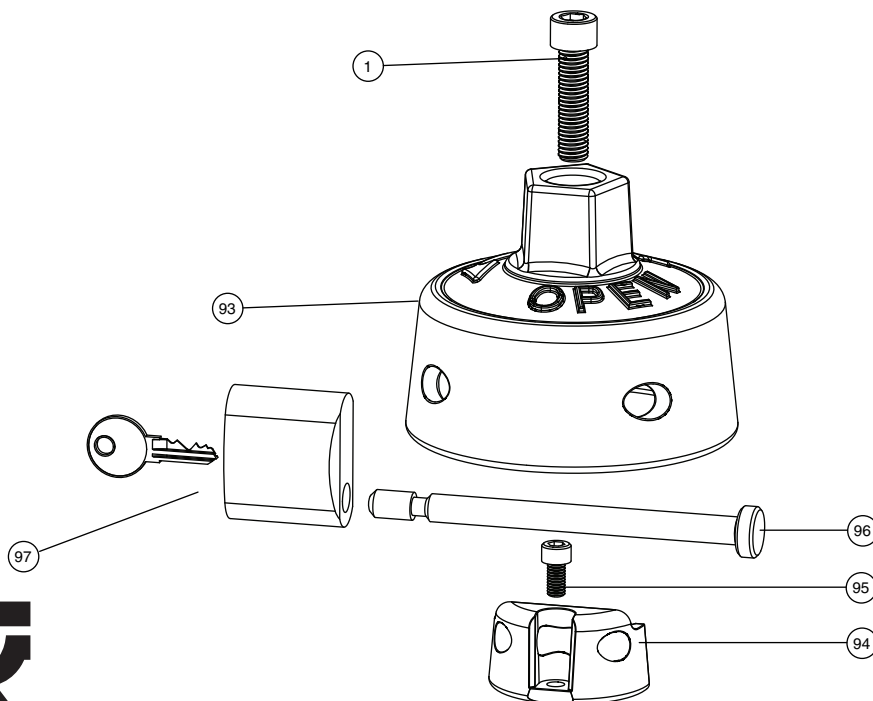
Grey Iron, ASTM A126, class B

#### Ordering Instructions:

Please specify the following:

- Operating nut dimensions
- Opening Direction
- With or without lock

Note: All weathershields are supplied with gray primer. If customer supplies own lock, the maximum diameter for the shackle is 0.375"



# AMERICAN AVK DRY BARREL HYDRANT

## Tamper Resistant Weathershield Kit

### Datasheet & Installation Instructions

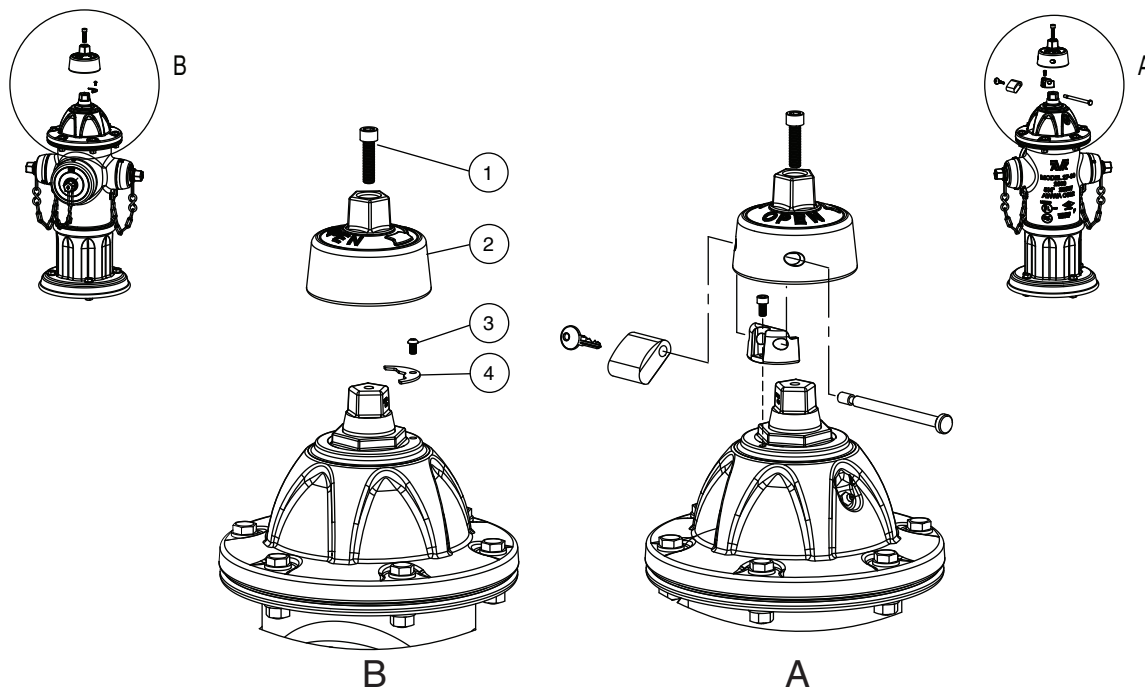
27/47XXX  
TAMPER

#### Component List:

- |  |                |
|--|----------------|
| 1. Weathershield Bolt                      | 96. Lock Pin   |
| 2. Weathershield - Standard                | 97. Lock & Key |
| 3. Lockplate Screw - Standard              |                |
| 4. Lockplate - Standard                    |                |
| 93. Weathershield - for Tamper Resistant   |                |
| 94. Lockplate - Cast for Tamper Resistant  |                |
| 95. Lockplate Screw - for Tamper Resistant |                |

#### Installation Instructions:

1. Remove old weathershield by removing bolt (1) with a 5/16", or 8mm Allen wrench
2. Remove old lockplate (4) by removing screw (3) with a 5/32", or 4mm Allen wrench. Discard lockplate and screw.
3. Install new Tamper Resistant Lockplate (94) using the high strength screw supplied in the kit (95), with a 5mm Allen wrench.  
NOTE: High strength screw must be used to increase the strength of the entire assembly.
4. Install new Tamper Resistant Weathershield (93) using the bolt (1) removed in step 1.
5. Align holes in Tamper Resistant Weathershield (93) and Tamper Resistant lock plate (94)  
Note: When the hydrant is closed completely, the weathershield can rotate a minimum of one complete rotation before main valve is engaged.
6. Insert pin (96) and lock (97).



#### Ref. No.

27-000-47-XX-X

27-001-47-XX-X

#### Description

Grey iron weathershield kit, no padlock

Grey iron weathershield kit, with padlock

