

**AMERICAN AVK RESILIENT SEATED GATE VALVE**  
**250 PSI, Tested to AWWA C509 (NRS)**  
**Mechanical Joint End - Valve Sizes 2" - 12"**

**25/0X**  
**MJxMJ**

**Use:**

For water and neutral liquids to maximum 160°F.

**Tests:**

Hydraulic test to AWWA C509:

Shell Test: 500 PSI

Seat Test: 250 PSI

Operating Torque Test

**Optional Materials:**

Stem	Option a): For UL, FM, ULC Low zinc bronze ASTM B763
Anti Friction Washers	Polyamide
Bonnet Bolts	Option a): For UL, FM, ULC ASTM A164 zinc coated steel sealed with hot melt
	Option b): Stainless Steel - 316 sealed with hot melt
Gland Bolts	Option a): For UL, FM, ULC ASTM A164 zinc coated steel Hexagon bolt
	Option b): Stainless Steel - 316 Hexagon bolt

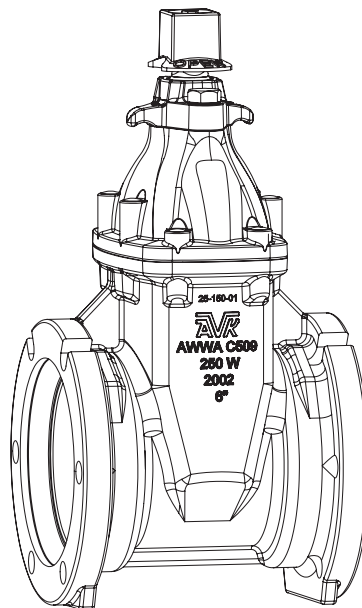
**Standard Materials:**

Body, Bonnet, Gland Flange Coating	Cast iron ASTM A126 class B Ductile iron ASTM A536 Electrostatically applied fusion- bonded epoxy-resin Meets or exceeds AWWA C550
Wrench Nut	Ductile iron ASTM A536 - painted black for open left, red for open right.
Stem	Standard: Stainless Steel, ASTM A582
Wedge	Ductile iron ASTM A536 encapsulated with EPDM-rubber compound
Wedge Nut, Thrust Collar	Bronze
Bonnet Bolts	Stainless Steel - 304 sealed with hot melt
Gland Bolts Hexagon bolt	Stainless Steel - 304
Bonnet Gasket Wiper Ring, O-Ring Stem Seals, O-Ring Gland Seal	ASTM D2000 Buna "N" nitrile rubber

**Approvals:**



\*UL/ULC Listed,  
 \*FM Approved  
 \* Approved at 200 PSI working pressure  
 Certified to: NSF/ANSI 61, NSF/ANSI 372

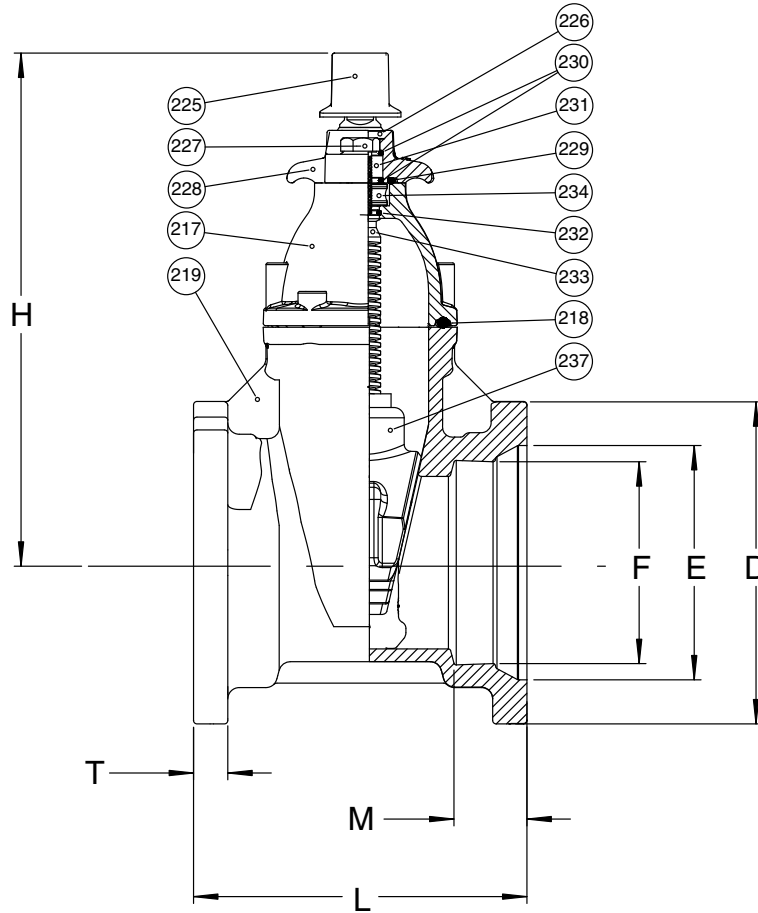


**AMERICAN AVK RESILIENT SEATED GATE VALVE**  
**250 PSI, Tested to AWWA C509 (NRS)**  
**Mechanical Joint End - Valve Sizes 2" - 12"**

**25/0X**  
**MJxMJ**

**Component List:**

- |                    |                              |                             |
|--------------------|------------------------------|-----------------------------|
| 217. Bonnet        | 227. Gland Flange Bolt       | 232. Lower Stem Seal O-Ring |
| 218. Bonnet Gasket | 228. Gland Flange            | 233. NRS Stem               |
| 219. Body          | 229. Gland O-Ring            | 234. Thrust Collar          |
| 225. Wrench Nut    | 230. Upper Stem Seal O-Rings | 237. Wedge                  |
| 226. Wiper Ring    | 231. Stem Seal Bushing       |                             |



Ref No.	Size	D	E	F	H	L	M	T	Turns to Open	Wt. Lbs.
25-050-0X	2"	6.25"	3.50"	2.61"	10.56"	8.00"	2.50"	0.75"	11	29
25-080-0X	3"	7.69"	4.96"	4.07"	12.09"	8.50"	2.50"	0.95"	12	43
25-100-0X	4"	9.12"	6.02"	4.90"	13.50"	10.00"	2.50"	1.00"	14	62
25-150-0X	6"	11.12"	8.12"	7.00"	17.50"	11.50"	2.50"	1.18"	21	121
25-200-0X	8"	13.37"	10.27"	9.15"	21.50"	11.50"	2.50"	1.24"	26	173
25-250-0X	10"	15.69"	12.34"	11.20"	24.75"	13.00"	2.50"	1.14"	32	240
25-300-0X	12"	17.88"	14.44"	13.29"	27.63"	14.00"	2.50"	1.22"	38	398

