

**AMERICAN AVK HIGH PRESSURE, 250 PSI, NOSTALGIC,
SINGLE PUMPER, DRY BARREL HYDRANT**

**27N/PNN
NOSTALGIC SINGLE PUMPER**


Meets or exceeds AWWA C502 (latest) - Working Pressure - 250 PSI
 Inlet Bases: Flanged in accordance with ANSI B16.1 Class 125,
 Mechanical and Push-On Joint in accordance with ANSI/AWWA C111/A21.11

Use:
 For water and neutral liquids to maximum 160°F.

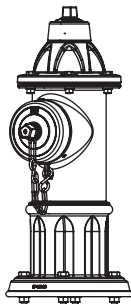
Tests:
 Hydraulic test to AWWA C502:
 Seat Test: 500 PSI

Approvals:

Certified to:
 NSF/ANSI 61
 NSF/ANSI 372

<p>Components: Nozzle Section, Bonnet, Barrels, Standpipe Flanges, Breakable Flange, Main Valve Flange, Base, Caps, Weathershield Nozzles, Valve Seat Ring, Drain Ring, Operating Nut, Thrust Nut Brass Fittings, Brass Plugs Main Valve Stem Rod Couplings, Lock Rings, Nozzle Retaining Screw, Lock Plate, Lock Plate Screw, Stop Pins, Coupler Pins, Main Valve Retaining Pin, Spring Pins, Coating Stop Nut, Chain Set, Hardware Barrel Gasket, Cap Gasket, O-rings Lubrication Hole Seal Anti-Friction Washer Base Elbow / Inlet Configuration</p>	<p>Standard: Ductile Iron ASTM A536 Cast Iron ASTM A126 Class "B" Bronze Brass Ductile iron core, fully encapsulated with EPDM rubber. Stainless Steel Above ground-Fusion bonded epoxy inside and out. Below ground - Bitumen/Fusion bonded epoxy. Epoxy meets or exceeds AWWA C550 (latest) Zinc Plated Steel NBR - (Barrel Gasket with 304 stainless insert) Oil Resistant Rubber Polyamide</p>																								
<p>*Not FM Approved</p>	<table border="0" style="width: 100%;"> <tr> <td style="width: 33%;"><input type="checkbox"/> 6" MJ</td> <td style="width: 33%;"><input type="checkbox"/> 6" Flanged</td> <td style="width: 33%;"><input type="checkbox"/> 6" Push-on</td> <td style="width: 33%;"><input type="checkbox"/> HYMAX®*</td> </tr> <tr> <td><input type="checkbox"/> 4" MJ</td> <td><input type="checkbox"/> 4" Flanged</td> <td><input type="checkbox"/> 4" PE*</td> <td></td> </tr> <tr> <td><input type="checkbox"/> 8" MJ*</td> <td><input type="checkbox"/> Straight Flanged 6"</td> <td><input type="checkbox"/> 6" PE*</td> <td></td> </tr> </table> <p style="text-align: center;">Optional Materials:</p> <table border="0" style="width: 100%;"> <tr> <td style="width: 33%;"><input type="checkbox"/> Zinc Plated</td> <td style="width: 33%;"><input type="checkbox"/> 304 Stainless</td> <td style="width: 33%;"><input type="checkbox"/> 316 Stainless</td> </tr> <tr> <td><input type="checkbox"/> 304 Stainless</td> <td><input type="checkbox"/> Epoxy Coated Steel</td> <td></td> </tr> <tr> <td><input type="checkbox"/> 304 Stainless</td> <td><input type="checkbox"/> Epoxy Coated Steel</td> <td></td> </tr> <tr> <td><input type="checkbox"/> Open Left</td> <td><input type="checkbox"/> Open Right</td> <td></td> </tr> </table>	<input type="checkbox"/> 6" MJ	<input type="checkbox"/> 6" Flanged	<input type="checkbox"/> 6" Push-on	<input type="checkbox"/> HYMAX®*	<input type="checkbox"/> 4" MJ	<input type="checkbox"/> 4" Flanged	<input type="checkbox"/> 4" PE*		<input type="checkbox"/> 8" MJ*	<input type="checkbox"/> Straight Flanged 6"	<input type="checkbox"/> 6" PE*		<input type="checkbox"/> Zinc Plated	<input type="checkbox"/> 304 Stainless	<input type="checkbox"/> 316 Stainless	<input type="checkbox"/> 304 Stainless	<input type="checkbox"/> Epoxy Coated Steel		<input type="checkbox"/> 304 Stainless	<input type="checkbox"/> Epoxy Coated Steel		<input type="checkbox"/> Open Left	<input type="checkbox"/> Open Right	
<input type="checkbox"/> 6" MJ	<input type="checkbox"/> 6" Flanged	<input type="checkbox"/> 6" Push-on	<input type="checkbox"/> HYMAX®*																						
<input type="checkbox"/> 4" MJ	<input type="checkbox"/> 4" Flanged	<input type="checkbox"/> 4" PE*																							
<input type="checkbox"/> 8" MJ*	<input type="checkbox"/> Straight Flanged 6"	<input type="checkbox"/> 6" PE*																							
<input type="checkbox"/> Zinc Plated	<input type="checkbox"/> 304 Stainless	<input type="checkbox"/> 316 Stainless																							
<input type="checkbox"/> 304 Stainless	<input type="checkbox"/> Epoxy Coated Steel																								
<input type="checkbox"/> 304 Stainless	<input type="checkbox"/> Epoxy Coated Steel																								
<input type="checkbox"/> Open Left	<input type="checkbox"/> Open Right																								



Series 27N/PNN
Single Pumper



AMERICAN AVK HIGH PRESSURE, 250 PSI, NOSTALGIC, SINGLE PUMPER, DRY BARREL HYDRANT

27N/PNN NOSTALGIC SINGLE PUMPER

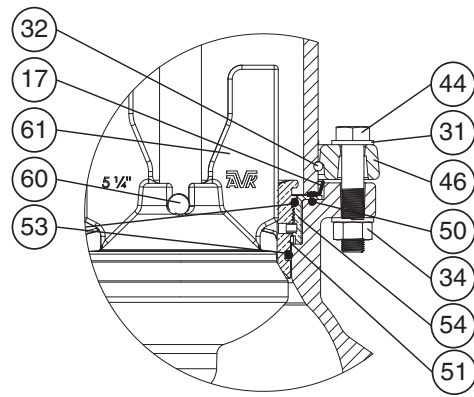
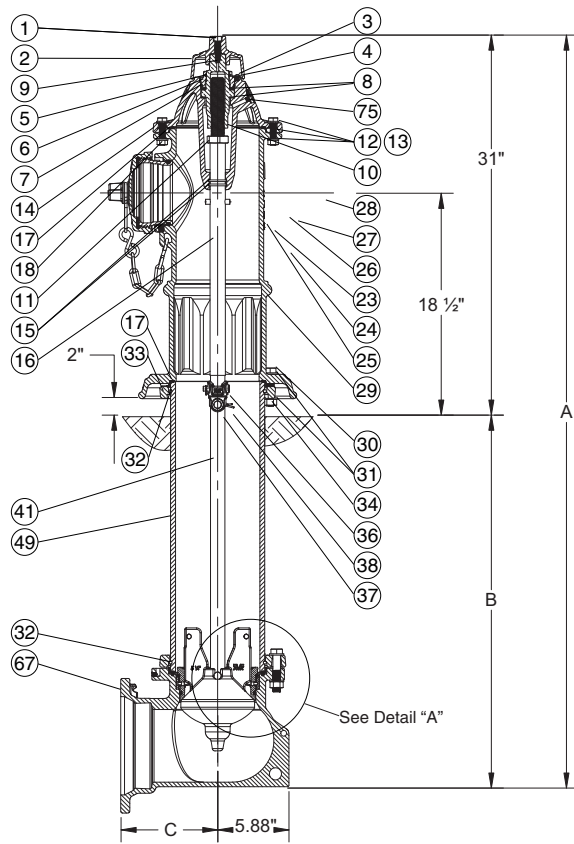
Meets or exceeds AWWA C502 (latest) - Working Pressure - 250 PSI

Inlet Bases: Flanged in accordance with ANSI B16.1 Class 125,

Mechanical and Push-On Joint in accordance with ANSI/AWWA C111/A21.11

Component List:

- | | | | |
|----------------------------|----------------------------|----------------------------------|---------------------------------|
| 1. Weathershield Bolt | 15. Stem Seal O-rings | 32. Lock Ring | 53. Valve Seat O-ring -Detail A |
| 2. Weathershield | 16. Upper Stem Rod | 33. Breakable Flange | 54. Drain Ring -Detail B |
| 3. Lock Plate Screw | 17. Barrel Gasket | 34. Nozzle Section Nut | 55. Brass Plug -Not shown |
| 4. Lock Plate | 18. Bonnet Nut | 36. Coupler Pin | 56. Brass Fitting -Not shown |
| 5. Inner Thrust Nut O-ring | 23. Nozzle Retaining Screw | 37. Breakable Stem Rod | 60. Main Valve Retaining Pin |
| 6. Thrust Nut | 24. Chain Set | Coupling | -Detail B |
| 7. Outer Thrust Nut O-ring | 25. Pumper Nozzle O-ring | 38. Spring Pin | 61. Main Valve Disc -Detail B |
| 8. Anti-Friction Washer | 26. Pumper Nozzle | 41. Lower Stem Rod | 62. Base Gasket -Detail B |
| 9. Lubrication Hole Seal | 27. Pumper Nozzle Gasket | 44. Extension Bolt -Detail A | 64. Stud Bolt -Detail B |
| 10. Operating Nut | 28. Pumper Nozzle Cap | 46. Standpipe Flange -Detail A | 67. Base |
| 11. Stop Nut | 29. Nozzle Section | 49. Lower Barrel | 69. Thrust Bearings |
| 12. Bonnet Bolt | 30. Nozzle Section Bolt | 50. Lower Barrel O-ring Detail A | 75. Zerk Fitting |
| 13. Bonnet Washer | 31. Nozzle Section Washer | 51. Valve Seat Ring -Detail A | |
| 14. Bonnet | | | |



Detail "A"

Ref No.	Base Sizes	Outlets	A	B*	C Flanged	C MJ	C Push-on	C PE	C HYMAX GRIP®
27N-PNN-4	- 4"	1x4"/4½"	49" - 247"	18" - 216"	8.00"	8.00"	N/A	23.70"	N/A
27N-PNN-6	- 6"	1x4"/4½"	49" - 247"	18" - 216"	8.00"	8.00"	9.00"	22.80"	11.60"
27N-PNN-8	- 8"	1x4"/4½"	49" - 247"	18" - 216"	N/A	9.38"	N/A	N/A	N/A

* Buries greater than 216" available upon request.

