

AMERICAN AVK RESILIENT SEATED DUCTILE IRON GATE VALVE 45/FFOH-UL
250 PSI, Tested to AWWA C509 / C515 (OS&Y) CWP Tested to 350 PSI FLxFL
Flanged x Flanged Ends to ANSI B16.1 Class 250 - Valve Sizes 4" - 12"
Laylength to ASME B16.10

Use:

For water and neutral liquids to maximum 160°F.

Tests:

Hydraulic test to AWWA C509:

Shell Test: 500 PSI

Seat Test: 250 PSI

Operating Torque Test

Optional Materials:

Wedge Ductile iron ASTM A536
 encapsulated with NBR-rubber
 compound

Standard Materials:

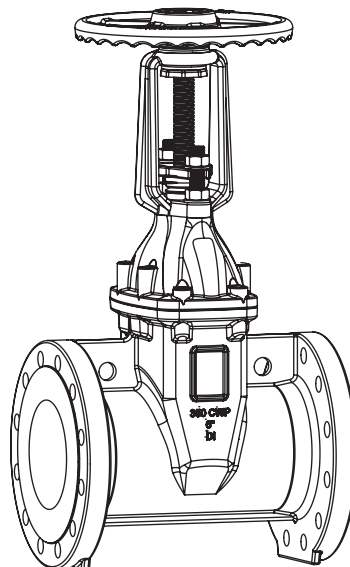
| | |
|--|---|
| Body, Bonnet, Yoke, Gland Follower | Ductile iron ASTM A536 |
| Handwheel | Cast iron ASTM A126 class B |
| Coating | Electrostatically applied fusion-bonded epoxy-resin Meets or exceeds AWWA C550 |
| Stem | 2½"-12" 304 Stainless Steel 14"-16" Aluminum Bronze C63020 |
| Anti-Friction Washer, Wedge Nut 2-piece Stem Nut | Bronze |
| Wedge | Ductile iron ASTM A536 encapsulated with EPDM - rubber compound. |
| Bonnet Bolts | Stainless Steel - 316 sealed with hot melt |
| Stud Bolts, Washers, Nuts | Stainless Steel - 316 |
| Bonnet Gasket, O-rings | NBR |
| Gland, Gland Bushing | Akulon |

Approvals:

*UL/ULC Listed
 *FM Approved
 Certified to: ANSI/NSF 61, ANSI/NSF 372



* Approved at 250 PSI working pressure, 2.5"-12"
 * Approved at 200 PSI working pressure, 14"-16"

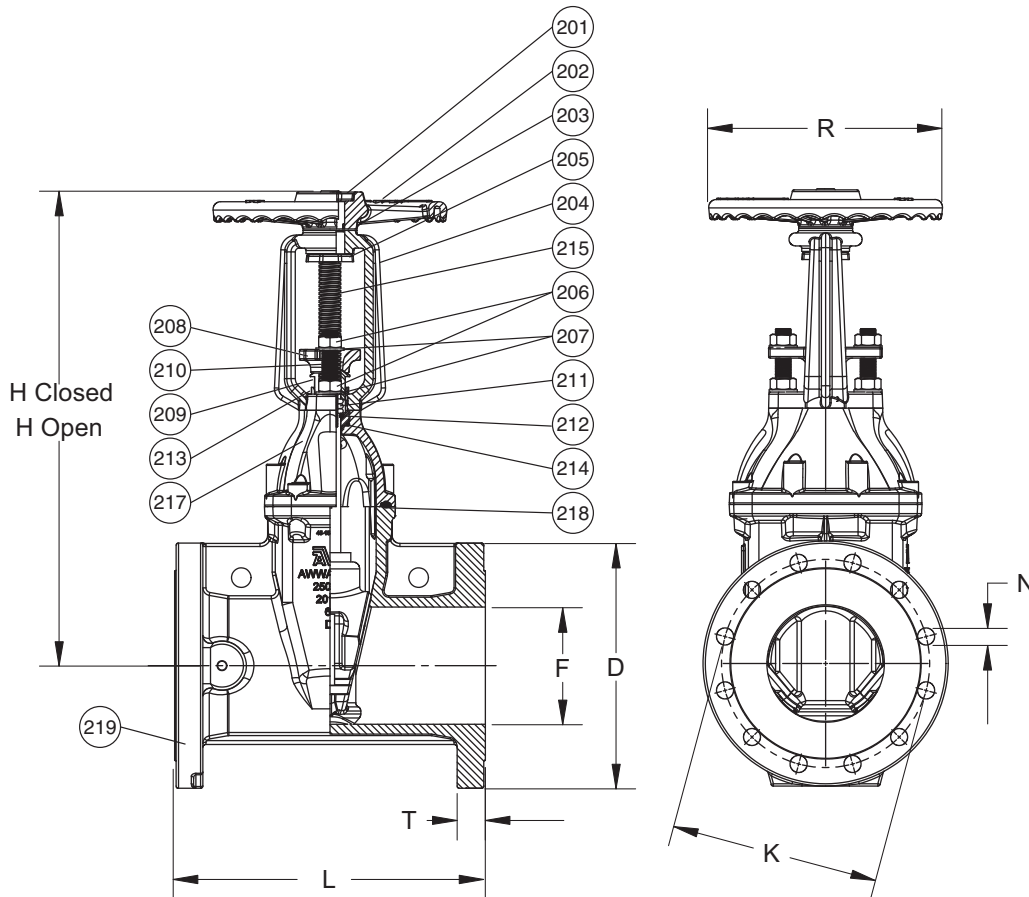


AMERICAN AVK RESILIENT SEATED DUCTILE IRON GATE VALVE 45/FFOH-UL
250 PSI, Tested to AWWA C509 / C515 (OS&Y) CWP Tested to 350 PSI
Flanged x Flanged Ends to ANSI B16.1 Class 250 - Valve Sizes 4" - 12"
Laylength to ASME B16.10

FLxFL

Component List:

- | | | |
|---------------------------------|---------------------------|-------------------------------|
| 201. Upper Stem Nut | 208. Gland Follower | 215. OS&Y Stem Assembly |
| 202. OS&Y Handwheel | 209. Gland | 216. Bonnet Bolts (Not Shown) |
| 203. Anti-Friction Washer | 210. Stud Bolt | 217. Bonnet |
| 204. Yoke | 211. Stem Seal O-rings | 218. Bonnet Gasket |
| 205. Lower Stem Nut | 212. Inner Bushing O-ring | 219. Body |
| 206. Gland Follower/Yoke Nut | 213. OS&Y Bushing | |
| 207. Gland Follower/Yoke Washer | 214. Outer Bushing O-ring | |



| Ref. nos. | Size | D | F | H open | H closed | K | L | N | R | T | Flange holes | Turns to open | Wt. Lbs. |
|-------------|------|--------|--------|-----------|-------------|--------|--------|-------|--------|-------|-----------------|------------------|-------------|
| 45-100-FFOH | 4" | 10.00" | 4.00" | 22.63" | 18.63" | 7.88" | 12.00" | 0.88" | 10.00" | 1.25" | 8 | 21 | 113 |
| 45-150-FFOH | 6" | 12.50" | 6.00" | 31.00" | 25.00" | 10.62" | 15.88" | 0.88" | 12.00" | 1.44" | 12 | 26 | 202 |
| 45-200-FFOH | 8" | 15.00" | 8.00" | 39.00" | 31.00" | 13.00" | 16.50" | 1.00" | 14.00" | 1.62" | 12 | 35 | 301 |
| 45-250-FFOH | 10" | 17.50" | 10.00" | 46.80" | 36.80" | 15.25" | 18.00" | 1.12" | 17.00" | 1.88" | 16 | 37 | 400 |
| 45-300-FFOH | 12" | 20.50" | 12.00" | 53.50" | 41.50" | 17.75" | 19.76" | 1.25" | 17.00" | 2.00" | 16 | 44 | 563 |

