

AMERICAN AVK RESILIENT SEATED GATE VALVE

Tested to AWWA C509 (OS&Y)

IPS Grooved End according to AWWA C606 x Flanged - Valve Sizes 2.5" - 10"

45/GFO-UL
IPS GRxFL

Use:

For water and neutral liquids to maximum 160°F.

Tests:

Hydraulic test to AWWA C509:

Shell Test: 500 PSI

Seat Test: 250 PSI

Operating Torque Test

Optional Materials:

Wedge Ductile iron ASTM A536
 encapsulated with NBR-rubber
 compound

Standard Materials:

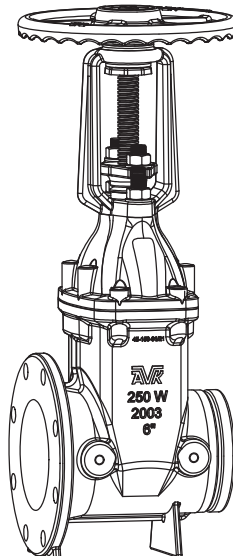
Body, Bonnet, Yoke, Gland Follower	Ductile iron ASTM A536
Handwheel	Cast iron ASTM A126 class B
Coating	Electrostatically applied fusion-bonded epoxy-resin Meets or exceeds AWWA C550
Stem	304 Stainless Steel
Anti-Friction Washer, Wedge Nut 2-piece Stem Nut	Bronze
Wedge	Ductile iron ASTM A536 encapsulated with EPDM - rubber compound.
Bonnet Bolts	Stainless Steel - 316 sealed with hot melt
Stud Bolts, Washers, Nuts	Stainless Steel - 316
Bonnet Gasket, O-rings	NBR
Gland, Gland Bushing	Akulon

Approvals:

*UL/ULC Listed
*FM Approved
Certified to: ANSI/NSF 61, ANSI/NSF 372



* Approved at 250 PSI working pressure, 2.5"-12"
* Approved at 200 PSI working pressure, 14"-16"



AMERICAN AVK RESILIENT SEATED GATE VALVE

250 PSI, Tested to AWWA C509 (OS&Y)

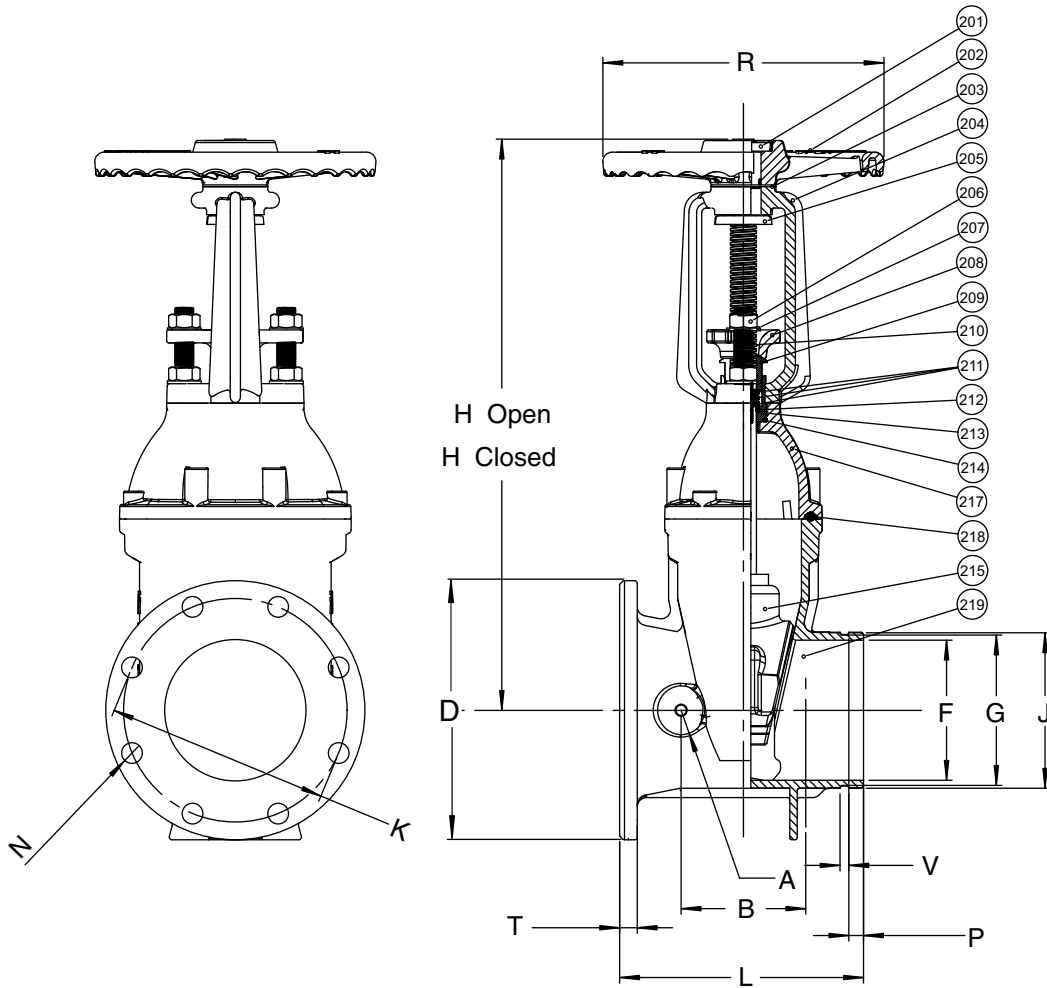
IPS Grooved End according to AWWA C606 x Flanged - Valve Sizes 2.5" - 10"

45/GFO-UL

IPS GRxFL

Component List:

- | | | |
|------------------------------|---------------------------------|---------------------------|
| 201. Upper Stem Nut | 207. Gland Follower/Yoke Washer | 214. Outer Bushing O-Ring |
| 202. OS&Y Handwheel | 208. Gland Follower | 215. OS&Y Stem Assembly |
| 203. Anti-Friction Washer | 209. Gland | 217. Bonnet |
| 204. Yoke | 210. Stud Bolt | 218. Bonnet Gasket |
| 205. Lower Stem Nut | 211. Stem Seal O-Ring | 219. Body |
| 206. Gland Follower/Yoke Nut | 212. Inner Bushing O-Ring | |



Ref No.	Size	A	B	D	F	G	H Open	H Closed	J	K	L	N	P	R	T	V	Turns to Open	Weight Lbs.
45-065-GFO-UL	2.5"	1.57"	3.74"	7.00"	2.50"	2.72"	17.50"	15.00"	2.88"	5.50"	8.00"	0.75"	0.63"	7.00"	0.71"	0.31"	17	45
45-080-GFO-UL	3"	1.57"	3.74"	7.52"	3.00"	3.34"	18.63"	15.63"	3.50"	6.00"	8.00"	0.75"	0.63"	7.00"	0.75"	0.31"	20	48
45-100-GFO-UL	4"	1.65"	4.12"	9.00"	4.00"	4.33"	22.63"	18.63"	4.50"	7.50"	9.00"	0.75"	0.63"	10.00"	0.75"	0.38"	21	64
45-150-GFO-UL	6"	1.97"	5.29"	11.00"	6.00"	6.45"	31.00"	25.00"	6.62"	9.50"	10.50"	0.88"	0.63"	12.00"	0.75"	0.38"	26	111
45-200-GFO-UL	8"	1.97"	8.00"	13.50"	8.00"	8.44"	39.00"	31.00"	8.62"	11.75"	11.50"	0.88"	0.75"	14.00"	0.79"	0.44"	35	165
45-250-GFO-UL	10"	1.97"	8.00"	13.50"	8.00"	8.44"	46.80"	36.80"	10.75"	14.25"	13.00"	1.00"	0.75"	17.00"	0.94"	0.50"	37	275

