

AMERICAN AVK RESILIENT SEATED DUCTILE IRON GATE VALVE 45/PFN-UL
250 PSI, Tested to AWWA C509 / C515 (NRS) POxFL
Push-on Joint End (TYTON) x Flanged End to ASME B16.42 Class 150 - Valve sizes 4" - 12" and 16"

Use:

For water and neutral liquids to maximum 160°F.

Tests:

Hydraulic test to AWWA C509:

Shell Test: 500 PSI 3"-16"

Seat Test: 250 PSI 3"-16"

Operating Torque Test

Optional Materials:

Stem For UL, FM, ULC for 3" - 12"
 Low Zinc Bronze ASTM B763

For UL, FM, ULC for 14" - 16"
 Aluminum Bronze ASTM B150/B150M

Anti Friction Washers Polyamide

Wedge Ductile iron ASTM A536
 encapsulated with NBR-rubber
 compound

Standard Materials:

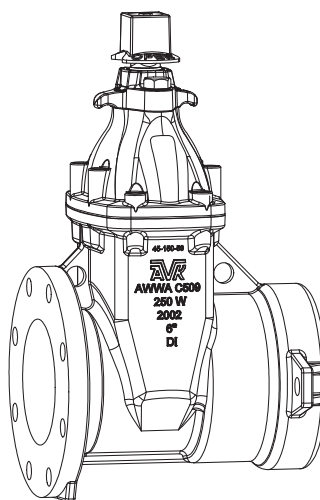
| | |
|--|---|
| Body, Bonnet, Gland Flange, Wrench Nut | Ductile iron ASTM A536 (Wrench Nut-painted black for open left, red for open right) |
| Coating | Electrostatically applied fusion- bonded epoxy-resin Meets or exceeds AWWA C550 |
| Stem | Standard: Stainless steel - 304 |
| Wedge | Ductile iron ASTM A536 encapsulated with EPDM-rubber compound |
| Wedge Nut, Thrust Collar | Bronze |
| Bonnet Bolts | Stainless Steel - 316 sealed with hot melt |
| Gland Bolts | Stainless Steel - 316 Hexagon bolt |
| Bonnet Gasket, Wiper Ring, O-Ring Stem Seals, O-Ring Gland Seal | ASTM D2000 Buna "N" nitrile rubber |

Approvals:



*UL/ULC Listed
 *FM Approved
 Certified to: ANSI/NSF 61, ANSI/NSF 372

* Approved at 250 PSI working pressure, 3"-12"
 * Approved at 200 PSI working pressure, 14"-16"



AMERICAN AVK RESILIENT SEATED DUCTILE IRON GATE VALVE

45/PFN-UL

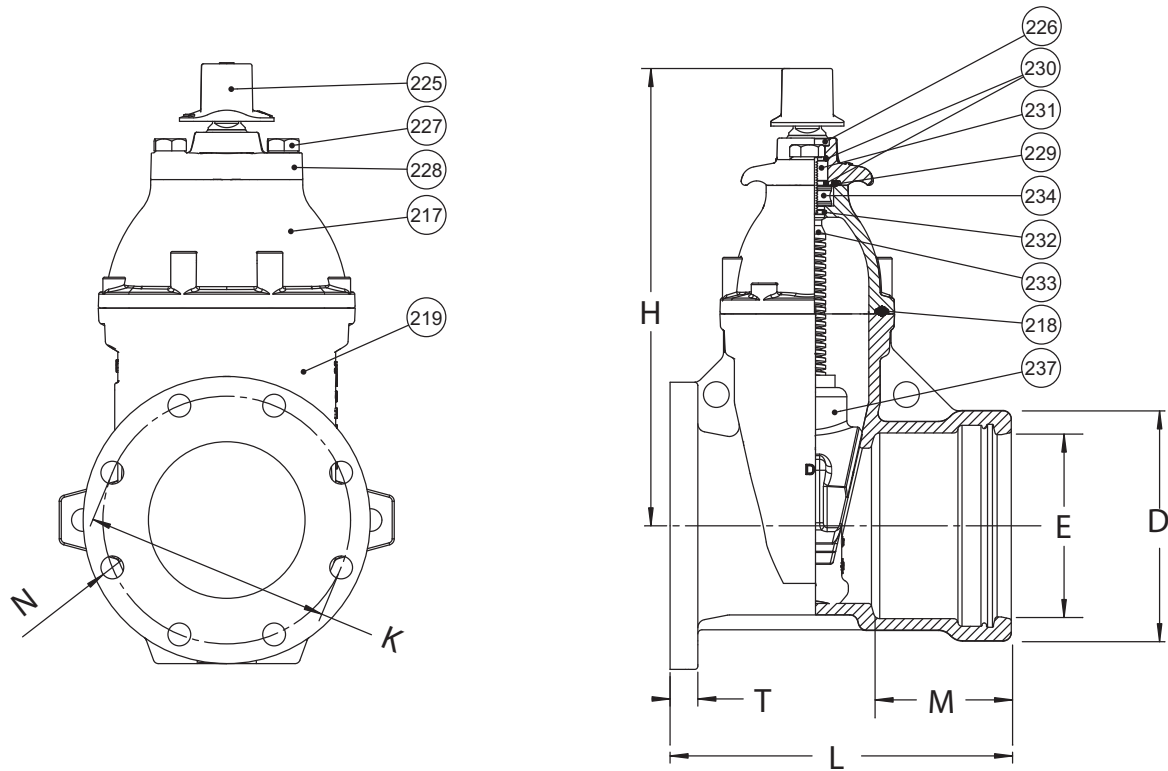
250 PSI, Tested to AWWA C509 / C515 (NRS)

POxFL

Push-on Joint End (TYTON) x Flanged End to ASME B16.42 Class 150 - Valve sizes 4" - 12" and 16"

Component List:

- | | | |
|--------------------|------------------------------|-----------------------------|
| 217. Bonnet | 227. Gland Flange Bolt | 232. Lower Stem Seal O-Ring |
| 218. Bonnet Gasket | 228. Gland Flange | 233. NRS Stem |
| 219. Body | 229. Gland O-Ring | 234. Thrust Collar |
| 225. Wrench Nut | 230. Upper Stem Seal O-Rings | 237. Wedge |
| 226. Wiper Ring | 231. Stem Seal Bushing | |



| Ref No. | Size | D | E | H | K | L | M | N | T | Flange Holes | Turns to Open | Weight (lbs.) |
|------------|------|--------|--------|--------|--------|--------|-------|-------|-------|--------------|---------------|---------------|
| 45-100-PFN | 4" | 6.66" | 4.93" | 13.50" | 7.51" | 10.51" | 4.12" | 0.75" | 1.00" | 8 | 14 | 59 |
| 45-150-PFN | 6" | 8.84" | 7.03" | 17.50" | 9.49" | 13.07" | 5.22" | 0.88" | 1.06" | 8 | 20 | 98 |
| 45-200-PFN | 8" | 11.23" | 9.18" | 21.50" | 11.73" | 14.33" | 5.63" | 0.88" | 1.14" | 8 | 26 | 154 |
| 45-250-PFN | 10" | 13.50" | 11.22" | 24.75" | 14.25" | 15.31" | 5.63" | 1.00" | 1.22" | 12 | 32 | 232 |
| 45-300-PFN | 12" | 15.74" | 13.32" | 27.75" | 17.00" | 16.61" | 5.63" | 1.00" | 1.30" | 12 | 38 | 358 |
| 45-400-PFN | 16" | 20.62" | 17.51" | 34.75" | 21.25" | 19.35" | 5.00" | 1.13" | 1.44" | 12 | 51 | 800 |

