

AMERICAN AVK BALL CHECK VALVE

53/FFI
FLxFL

Flanged x Flanged Ends - Drilled to ASME B16.42 Class 150 - Valve sizes 1 1/2" - 16", 20" & 24"

Use:

For water and neutral liquids to maximum 160°F.

Tests:

Shell Test: 225 PSI

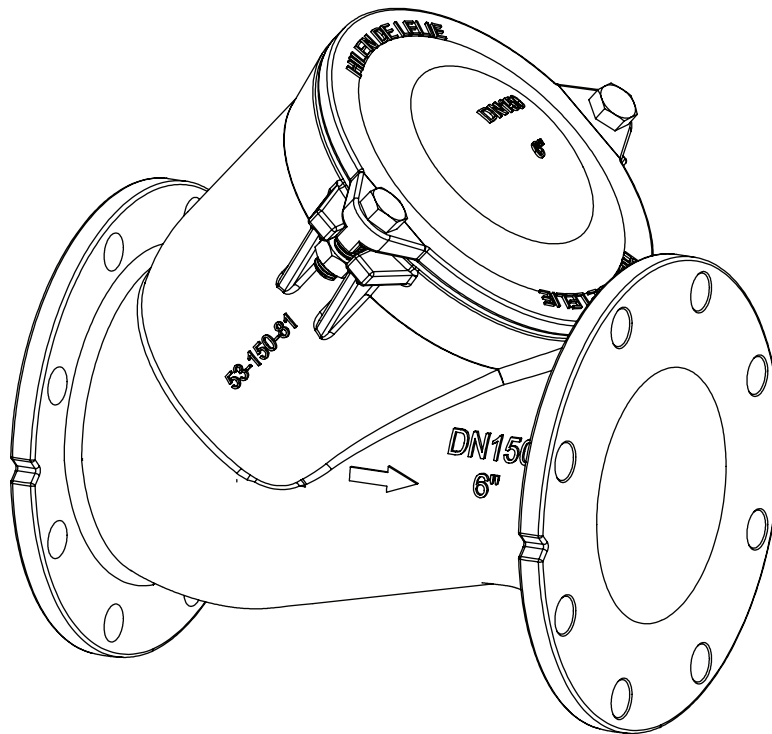
Seat Test: 150 PSI

Optional Material:

- Floating Ball
- Hardware 304 stainless steel, 316 stainless steel

Standard Materials:

| | |
|--------------------|--|
| Body, Bonnet, | Ductile iron ASTM A536 |
| Coating - FLxFL | Fusion Bonded Epoxy or Black Primer |
| Ball | Aluminum encapsulated with NBR-rubber compound |
| Bonnet Bolts, Nuts | Zinc Plated Steel |
| Bonnet Gasket, | ASTM D2000 Buna "N" nitrile rubber |



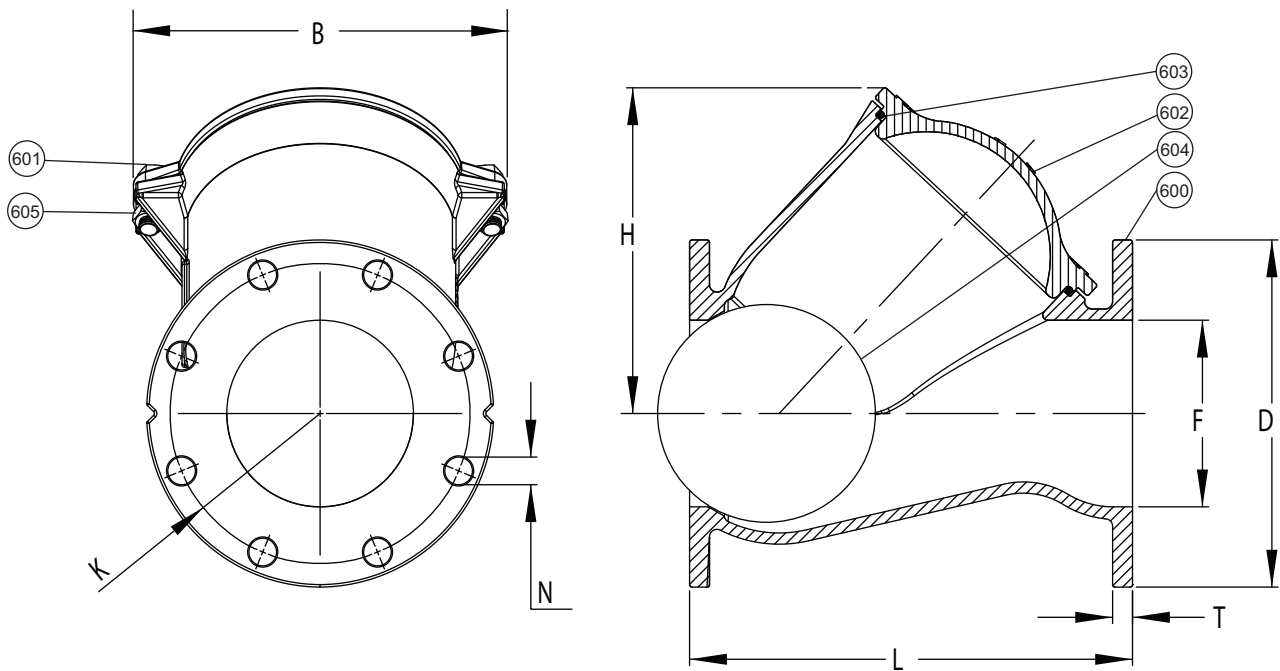
AMERICAN AVK BALL CHECK VALVE

**53/FFI
FLxFL**

Flanged x Flanged Ends - Drilled to ASME B16.42 Class 150 - Valve sizes 1 1/2" - 16", 20" & 24"

Component List:

- 600. Body
- 601. Bonnet Bolt
- 602. Bonnet
- 603. Bonnet O-ring
- 604. Ball
- 605. Bonnet Nut



| Ref No. | Size | B | D | F | H | K | L | N | T | Weight (lbs.) |
|------------|------|--------|--------|--------|--------|--------|--------|-------|-------|---------------|
| 53-040-FFI | 1.5" | 5.28" | 5.00" | 1.57" | 3.75" | 3.86" | 6.50" | 0.63" | 0.59" | 14.3 |
| 53-050-FFI | 2" | 5.87" | 5.98" | 1.97" | 4.53" | 4.76" | 8.00" | 0.75" | 0.63" | 16.5 |
| 53-065-FFI | 2.5" | 6.61" | 7.10" | 2.56" | 5.31" | 5.50" | 8.50" | 0.75" | 0.71" | 26.5 |
| 53-080-FFI | 3" | 7.64" | 7.52" | 3.15" | 6.30" | 5.98" | 9.50" | 0.75" | 0.75" | 29 |
| 53-100-FFI | 4" | 8.75" | 9.00" | 3.94" | 7.87" | 7.52" | 11.50" | 0.75" | 0.75" | 40 |
| 53-150-FFI | 6" | 11.80" | 10.98" | 5.90" | 10.24" | 9.50" | 14.00" | 0.88" | 0.63" | 86 |
| 53-200-FFI | 8" | 12.36" | 13.40" | 7.87" | 13.20" | 11.73" | 19.50" | 0.88" | 0.79" | 150 |
| 53-250-FFI | 10" | 15.60" | 15.98" | 9.84" | 16.14" | 14.25" | 24.50" | 1.00" | 0.87" | 247 |
| 53-300-FFI | 12" | 21.73" | 19.00" | 11.81" | 19.30" | 17.00" | 27.50" | 1.00" | 0.97" | 359 |
| 53-350-FFI | 14" | 25.67" | 20.98" | 13.78" | 23.23" | 18.70" | 31.00" | 1.10" | 0.97" | 637 |
| 53-400-FFI | 16" | 27.00" | 23.50" | 15.75" | 29.72" | 21.26" | 36.00" | 1.13" | 0.97" | 917 |
| 53-500-FFI | 20" | 34.10" | 27.50" | 19.69" | 36.60" | 25.00" | 43.30" | 1.30" | 1.04" | 1570 |
| 53-600-FFI | 24" | 39.50" | 32.00" | 23.62" | 39.76" | 29.50" | 51.00" | 1.42" | 1.18" | 2646 |

