

**AMERICAN AVK BRONZE ANGLE VALVE**  
**For Fire Protection Only**  
**NPT Threaded Ends - Valve Sizes 1/2" - 2"**

**970/AGV**  
**NPTxNPT**

**Use:**

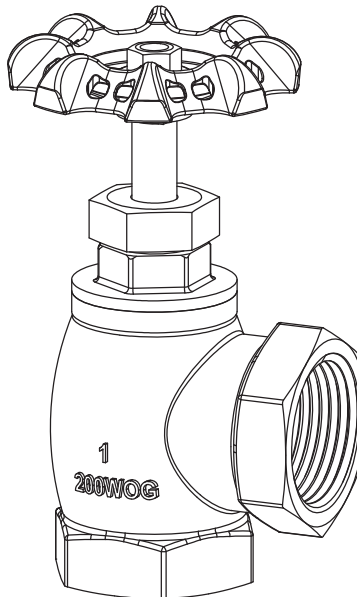
Non-shock cold water.

**Tests:**

200 WOG

**Standard Materials:**

Body, Bonnet, Stem, Packing Nut, Seat Disc, Handwheel Nut	Brass
Hand wheel	Cast iron ASTM A126 class B
Operating Plate	Aluminum
Packing	PTFE
Seat Disc	NBR

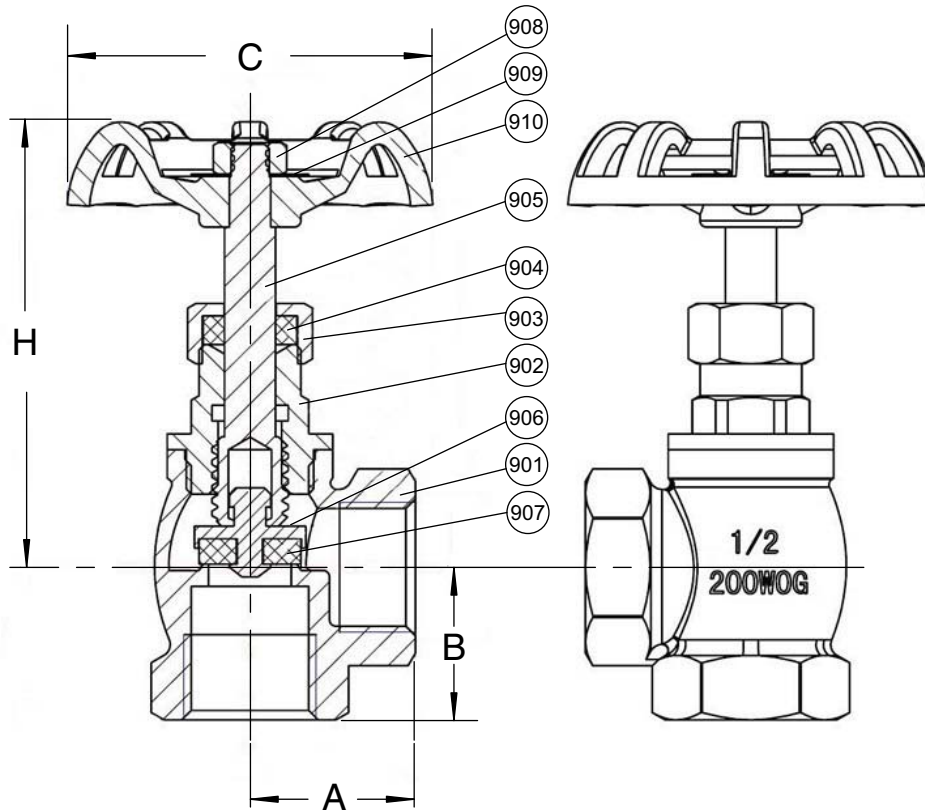


**AMERICAN AVK BRONZE ANGLE VALVE**  
**For Fire Protection Only**  
**NPT Threaded Ends - Valve Sizes ½" - 2"**

**970/AGV**  
**NPTxNPT**

**Component List:**

901. Body	905. Stem	909. Operating Plate
902. Bonnet	906. Seat	910. Handwheel
903. Packing Nut	907. Seat Disc	
904. Packing	908. Stem Nut	



Ref No.	Size	A	B	C	H	Weight Lbs.
970-015-AGV	½"	1.53"	1.01"	2.13"	2.65"	0.57
970-020-AGV	¾"	1.91"	1.20"	2.13"	3.11"	0.88
970-025-AGV	1"	2.28"	1.41"	2.51"	3.54"	1.20
970-032-AGV	1¼"	2.70"	1.75"	3.07"	4.06"	1.77
970-040-AGV	1½"	3.22"	1.97"	3.09"	4.54"	2.43
970-050-AGV	2"	3.70"	2.22"	4.29"	5.29"	3.81

