

AMERICAN AVK NRS RESILIENT SEATED GATE VALVE, WITH ACTUATOR PLATE

NRS/ACT NRS ACTUATOR VALVES

- (NRS) - Series 45, - Valve Sizes 3" through 16"
- (NRS) - Series 55, - Valve Sizes 18" through 36"
- (NRS) - Series 65, - Valve Sizes 2½" through 12"
- (NRS) - Series 66, - Valve Sizes 4" through 12"

Use:

For water and neutral liquids to maximum 160°F.

Tests:

Hydraulic test to AWWA C509, C515:

Shell Test: 500 PSI

Seat Test: 250 PSI

Operating Torque Test

* where applicable

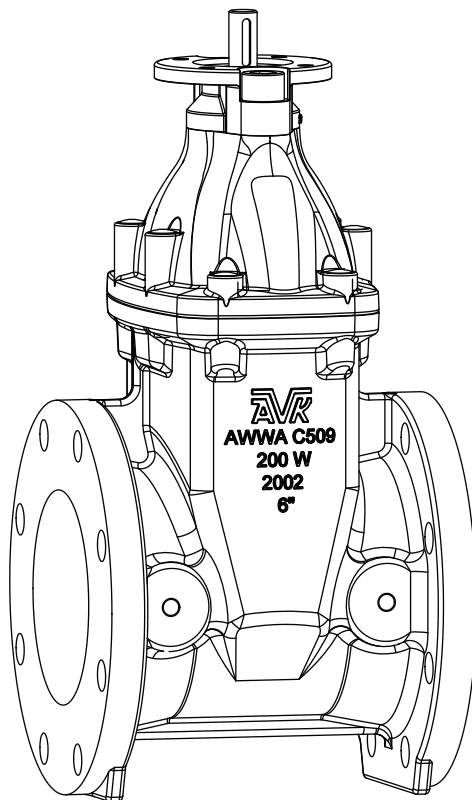
Standard Materials:

Adapter Flange Ductile iron ASTM A536

Stem Standard: Stainless steel
ASTM A582

Gland Bolts Stainless Steel -304
Socket Head Cap Screw

Note: For complete Standard, and
Optional material lists, refer to
individual Series datasheets.



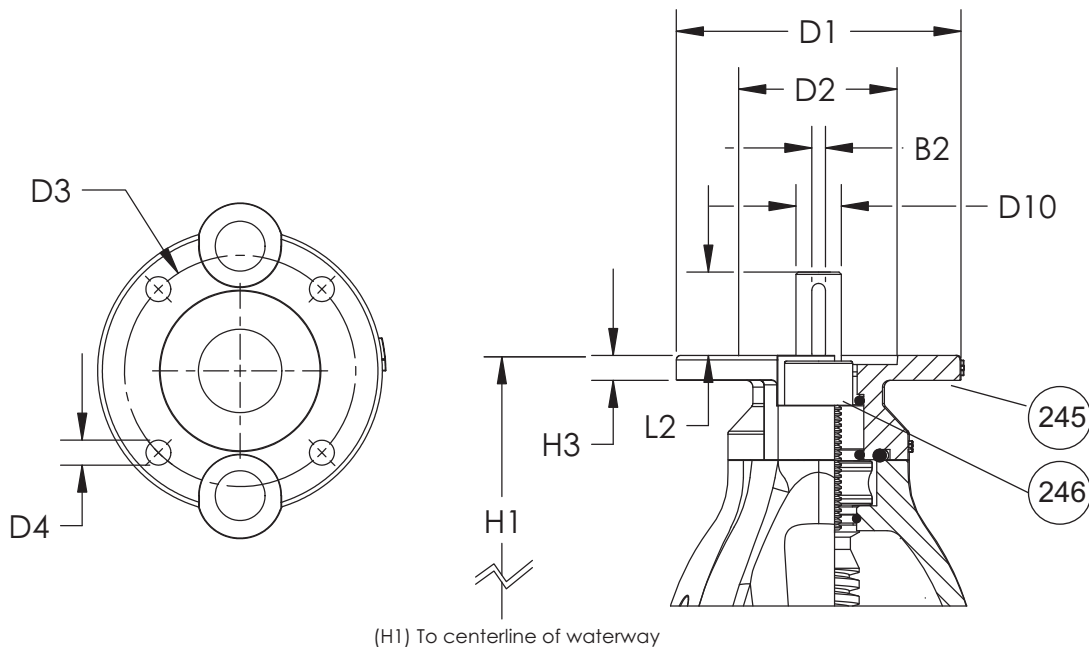
AMERICAN AVK NRS RESILIENT SEATED GATE VALVE, WITH ACTUATOR PLATE

NRS/ACT NRS ACTUATOR VALVES

- (NRS) - Series 45, - Valve Sizes 3" through 16"
- (NRS) - Series 55, - Valve Sizes 18" through 36"
- (NRS) - Series 65, - Valve Sizes 2½" through 12"
- (NRS) - Series 66, - Valve Sizes 4" through 12"

Component List:

- 245. Actuator Plate
- 246. Actuator Plate Bolt



Valve Size	ISO Plate	B2	D1	D2	D3	D4	D10	H1	H1/65*	H3	L2
2½"	FA10	0.24"	4.92"	2.31"	4.00"	0.47"	0.79"	9.44"	9.44"	0.43"	1.35"
3"	FA10	0.24"	4.92"	2.31"	4.00"	0.47"	0.79"	9.69"	9.69"	0.43"	1.35"
4"	FA10	0.24"	4.92"	2.31"	4.00"	0.47"	0.79"	10.90"	10.90"	0.43"	1.48"
6"	FA10	0.24"	4.92"	2.31"	4.00"	0.47"	0.79"	14.85"	14.85"	0.43"	1.75"
8"	FA10	0.24"	4.92"	2.31"	4.00"	0.47"	0.79"	18.65"	18.65"	0.52"	1.72"
10"	FA14	0.32"	6.89"	3.75"	5.50"	0.71"	1.18"	21.93"	21.93"	0.52"	1.83"
12"	FA14	0.32"	6.89"	3.75"	5.50"	0.71"	1.18"	24.94"	24.94"	0.52"	1.79"
14"	FA14	0.32"	6.89"	3.75"	5.50"	0.71"	1.18"	31.50"	N/A	0.52"	2.58"
16"	FA14	0.32"	6.89"	3.75"	5.50"	0.71"	1.18"	32.10"	N/A	0.52"	2.58"
18"	FA16	0.47"	8.25"	5.00"	6.50"	0.84"	1.57"	40.06"	N/A	0.79"	3.13"
20"	FA16	0.47"	8.25"	5.00"	6.50"	0.84"	1.57"	40.87"	N/A	0.79"	3.13"
24"	FA16	0.47"	8.25"	5.00"	6.50"	0.84"	1.57"	46.89"	N/A	0.79"	3.13"
30"	FA16	0.47"	8.25"	5.28"	6.50"	0.84"	1.57"	62.80"	N/A	0.79"	3.13"
36"	FA16	0.47"	8.25"	5.28"	6.50"	0.91"	1.57"	78.20"	N/A	0.79"	3.13"

*H1/65 for Series 65 valves, -(All other series, refer to "H1")

