

HDPE FUSIBLE VALVES

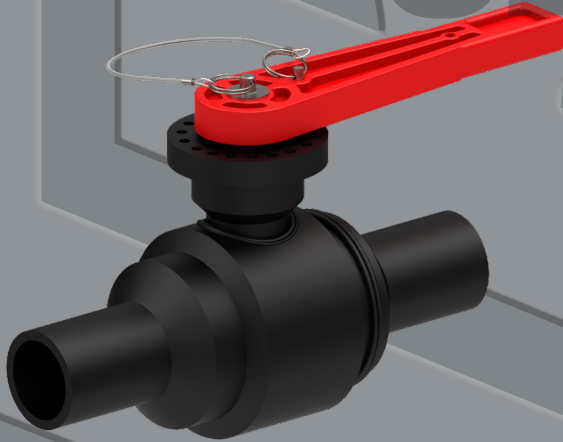


EXPECT
INNOVATION

Expect... **AVK**

AVK HDPE VALVES

SERIES 89



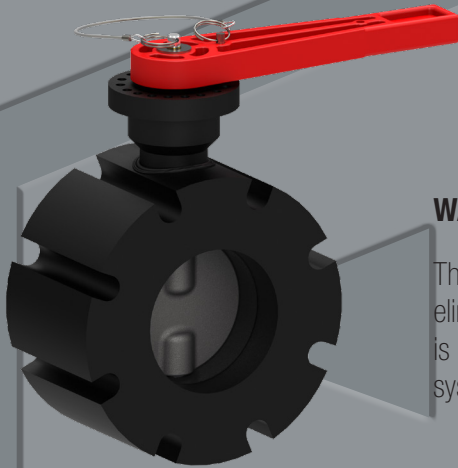
FUSIBLE BUTTERFLY VALVE

Series 89 fusible butterfly valves are designed for quick, direct heat butt-fusion or electrofusion into HDPE piping systems. The series 89 leak-free system enables ease of installation and eliminates the need for flange adaptors, spacers, back-up rings, nuts, bolts or gaskets.



FUSIBLE DUAL CONTAINMENT BUTTERFLY VALVE

Series 890, dual-containment butterfly valves include a second pipe housing. This unit can be fused into new or existing dual-containment (Double Wall) HDPE pipelines, eliminating the need for valve boxes or vaults.

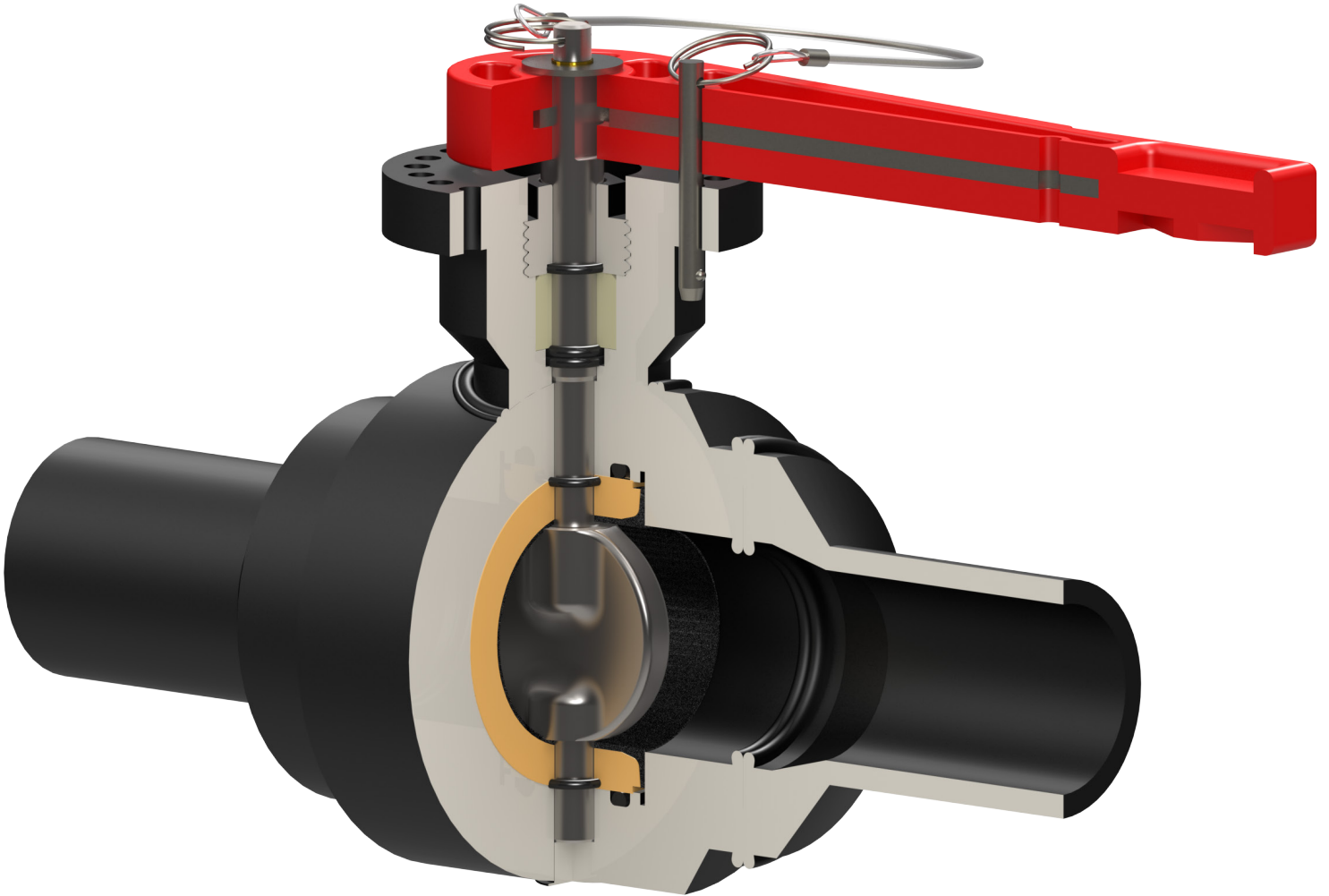


WAFER BUTTERFLY VALVE

The Series 891 wafer butterfly valve utilizes existing flanges, eliminating the need for valve spacers. The wafer valve is preferred in applications where easy access into piping systems is needed.

HDPE BUTTERFLY VALVES

SERIES 89



AVK SERIES VALVE FEATURES

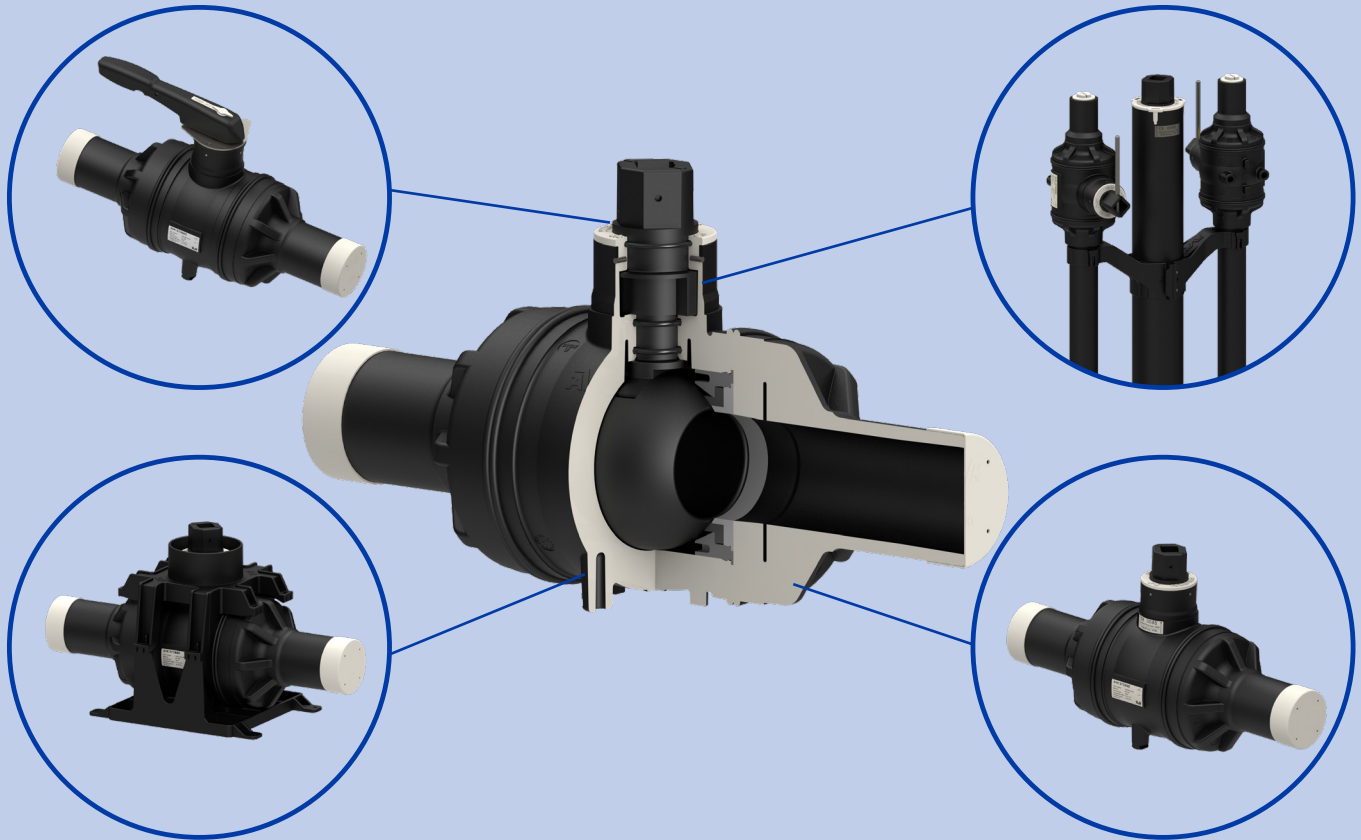
- AVK Series 89 valves (excluding the wafer valve) are designed for quick, direct heat butt-fusion or electrofusion into HDPE piping systems. The series 89 leak-free system enables ease of installation and eliminates the need for flange adaptors, spacers, back-up rings, nuts, bolts or gaskets.
- ASTM A582 316 stainless steel stems and discs on butterfly, dual-containment and wafer valves
- 360 degree incremental positioning lever standard for 2" through 6" valves; gearboxes standard on 8" and above
- Stem extensions available from 1 to 9 feet, in 6 inch increments
- Phenolic seat ring with bonded NBR on butterfly, dual-containment and wafer valves
- IPS valve sizes range from 2" through 12" with larger sizes and DIPS available upon request
- All AVK valves are covered by a 1 year warranty

EXPECT EFFICIENCY

HDPE BALL VALVES SERIES 85

Optional levers can be positioned incrementally and, when requested, secured with padlocks

Purge point valves with integrally welded stem extensions available upon request



Optional support base distributes applied torque away from the valve. Available for 1" through 3" sizes.

Series 85 Ball valves suitable for water, sewage, and gas applications

AVK SERIES 85 VALVE FEATURES

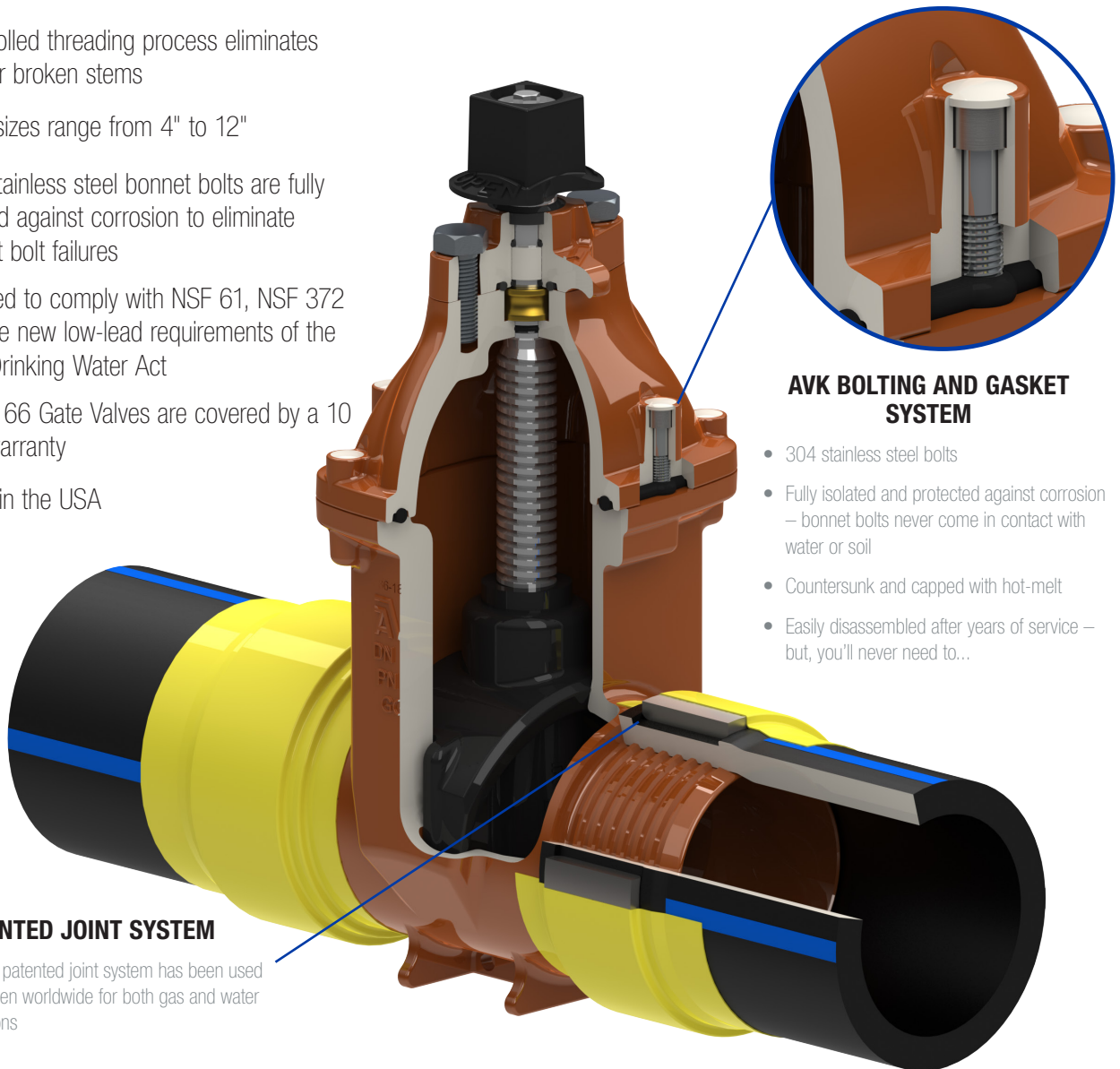
- AVK Series 85 valves are designed for quick, direct heat butt-fusion or electrofusion into HDPE piping systems. The series 85 leak-free system enables ease of installation and eliminates the need for flange adaptors, spacers, back-up rings, nuts, bolts or gaskets.
- Designed for low operating torques
- If the valve is over torqued while opening or closing, the safety connector is designed to fail instead of the valve seals, preventing leaks into the atmosphere. The safety connector is replaceable while the piping system is under pressure.
- IPS valve sizes range from 1" through 6" SDR11 standard, other SDR sizes available upon request
- All AVK Series 85 valves are covered by a 1 year warranty

RESILIENT SEATED

SERIES 66 HDPE VALVES AWWA C515

AVK STANDARD FEATURES

- AVK Series 66 Gate Valves are designed especially for use in polyethylene water distribution systems. The valve is identical to our premier resilient seated gate valve with one exception: the HDPE pipe stubs are already mounted. This means lower installation costs and leak-free joints.
- ASTM A582 stainless steel stems
- Cold-rolled threading process eliminates bent or broken stems
- Valve sizes range from 4" to 12"
- 304 stainless steel bonnet bolts are fully isolated against corrosion to eliminate bonnet bolt failures
- Certified to comply with NSF 61, NSF 372 and the new low-lead requirements of the Safe Drinking Water Act
- Series 66 Gate Valves are covered by a 10 year warranty
- Made in the USA



AVK BOLTING AND GASKET SYSTEM

- 304 stainless steel bolts
- Fully isolated and protected against corrosion – bonnet bolts never come in contact with water or soil
- Countersunk and capped with hot-melt
- Easily disassembled after years of service – but, you'll never need to...

PATENTED JOINT SYSTEM

- The AVK patented joint system has been used and proven worldwide for both gas and water installations

American AVK Company Locations

American AVK Company

2155 Meridian Blvd.
Minden, NV
89423
USA

Tel.: 775-552-1400
Fax.: 775-552-1031
sales@avkus.com
www.americanavk.com

GenHDPETFB/11-13-2018
Copyright©AVK Group A/S 2016

Expect... **AVR**